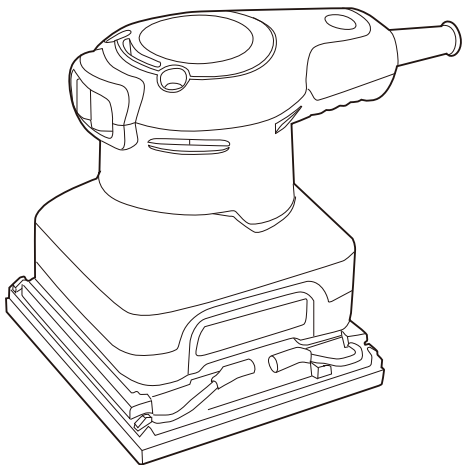


deli

User Manual

PALM SANDER DL-SG110-E1



1 Your product

WARNING! WHEN USING ELECTRIC TOOLS, ALL THE SAFETY INSTRUCTIONS SHOULD ALWAYS BE OBSERVED TO REDUCE THE RISK OF FIRE, ELECTRIC SHOCK AND PERSONAL INJURY BEFORE ATTEMPTING TO OPERATE THE TOOL, PLEASE READ ALL THE INSTRUCTIONS AND SAVE IT FOR FURTHER REFERENCE.

BASIC SAFETY PRECAUTIONS FOR ALL ELECTRIC TOOLS

1. Keep work area clean

---Cluttered area and benches invite injuries.

2. Consider work area environment

---Don't use electric tools in damp or wet locations. Don't expose electric tools to rain. Keep work area well. In particular, no inflammable liquids or gases must be present.

3. Avoid electric shock

--When you are operating tools, don't touch metal being grounded, such as pipe, radiator, freezer, etc.

4. Keep children and visitors away

---Don't let children contact tool or extension cord. All visitors should be kept away from work place.

5. Store idle tool

---When not in use, tools should be stored in dry, high, or locked-up place.

6. Don't force tool

--It will do the job better and safer at the rate for which it was intended, Avoid unnecessary overload which may put the operator at risk and impair functions of the tools.

7. Use right tool

--Don't force small tools and attachment to do the job of a heavy duty tool. Don't use tools for purpose not intended, for example, don't use electric circular saw for cutting logs or tree limbs.

8. Dress properly

--Don't wear loose clothes or jewelry. They can be caught in moving parts. Rubber gloves and non-skid footwear are recommended when working outdoors. Wear protective hair covering to contain long hair.

9. Use safety goggles

--Always wear safety goggles. If dust is produced. use the special masks.

10. Don't abuse cables

--Never carry tool by cable or yank it to disconnect it from socket. Keep cable from heat, oil and sharp edges.

11. Don't overreach

--Keep proper footing and balance at all times.

12. Maintain tools with care

--Keep tools sharp and clean for better and safer performance. Follow instructions for lubricating and changing accessories .Inspect tool cords periodically and replace if damaged. Keep handles dry, clean and free from oil and grease.

13. Disconnect tools

--When not in use. before servicing. and when changing accessories such as blades, bits and cutters.

14. Remove adjusting keys and wrenches

--From the habit of checking to see that keys and adjusting wrenches are removed from tool before turning it on.

15. Avoid unintentional starting

--Don't carry plugged-in tool with finger on switch. Make sure switch is off when connecting the plug to the socket.

16. Use extension cord

--If an extension cord is required, always check that its cross-section measurement is equal to or greater than that of the tool capabilities and so marked.

17. Stay alert

--Watch what you are doing. Use common sense. Do not operate tool when you are tired.

18. Check damaged parts

--Before further use of the tool , a guard or other parts that is damaged should be carefully checked to determine that it will operate properly and perform its intended function. Check for alignment of moving parts. binding of moving parts. breakage of parts, mounting and any other condition that may affect its operations. A guard or other part that is damaged should be properly repaired or replaced by a qualified service center unless otherwise indicated elsewhere in the instruction manual. Have defective switches replaced by a qualified service center. Do not use tool if switch does not turn on and off.

19. Check the voltage

---Do not plug the electric tool into the mains until you have checked that the voltage shown on the data plate corresponds to the voltage available.

20. Replace parts

---The use of improper accessory or attachment other than recommended present a risk of personal injuries.

21. Have your tool repaired by an expert

---This electric tool is in accordance with the relevant safety regulations. Repairing of electric tool may be carried out only by expert. Otherwise. it may cause considerable danger of the user.

2 Feature

The machine has a lot of merits: such as low noise, low temperature increment and large power.

3 Main Data

Dimension of cushion	100×110mm
Voltage	220V-240V~
Frequency	50/60Hz
Rated Power	300W
Rotary speed	10000RPM/min

4 Main safety instructions:

1) Keep work area clean

Cluttered areas and benches invite injuries.

2) Consider work area environment

Don't expose electric tools to rain; Do not use electric tools in damp or wet locations. Keep work area well lit.

3) Do not force tool

It will do the job better and safer at the rate for which it was intended.

4) Do not overreach

Keep proper footing and balance at all times.

5) Do not abuse cord

Never carry tool by cord or yank it to disconnect it from receptacle. Keep cord from heat, oil and sharp edges.

6) Avoid unintentional starting

Do not carry plugged-in tool with finger on switch. Be sure switch is off when plugging in.

5 How to use and Maintain

1. Operating method

1) If the plug has inserted into the socket, the machine may start intentionally as soon as the switch turns on, thus serious accident may happen, do make sure the electric switch is OFF when using the electric tool.

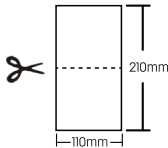
2) How to mount sandpaper: Insert the sandpaper into the sandpaper clamp to even with both sides of the cushion with care and tighten the sandpaper properly. The loose sandpaper is easy to tear or makes the polishing quality bad. (As shown in the figure on the right).



3) Method: Touch the working surface with the rubbing surface of the cushion, and press the polisher slightly when polishing (press the polisher forcibly or force the polisher on one side which can not polish a smooth surface), when operating the polisher, please mount the sandpaper, if not, the cushion may be damaged.

4) How to operate the switch:

It is equipped with a slide switch on the handle, to start the tool, push the switch forwards. To stop the tool, push the switch backwards.

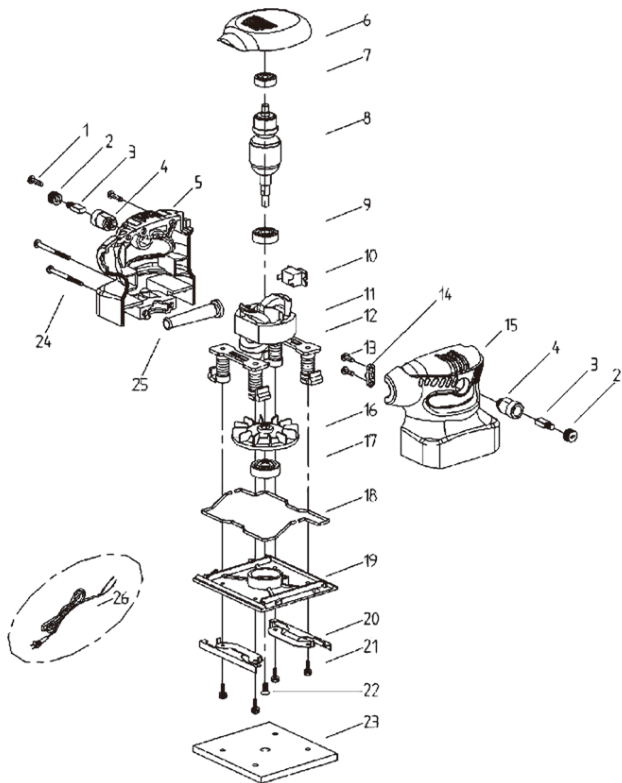


5) Sandpaper: The normal size of the sandpaper is 110mm*210mm, it can be halved and used on the polisher.

(2) How to maintain tool

1. Check the parts periodically, if you find the parts broken or damaged, please repair or replace them at once, keep the handle dry, clean and free from grease.

2. The solvent with chlorine, gasoline and thinner which could dissolve the plastic, use a soft cloth wet suds to clean the machine.



ART	Name	specification	quantity	parts' assembly position
1	Cross head self-tapping screw of housing	M4*16	3	Housing/The handle screw
2	Bush Holder		2	
3	Carbon Btush		2	
4	Brush Pot		2	
5	The Left Handle		1	
6	Cap (hande)		1	Housing/Handle
7	Bearing		1	Armeture
8	Armeture		1	
9	Bearing	627	1	Stator
10	Switch		1	
11	Stator	629	1	
12	Shelf		2	Housing/Handle and the Plate
13	Cross head self-tapping screw	M4*12	2	Tension Disc
14	Tension Disc		1	
15	The Righ Handle		1	
16	The blade		1	
17	Bearing	6200	1	The Plate
18	Sandpaper clip		2	The Plate
19	The Plate		1	
20	Retort stand		2	The Plate
21	Cross head screw	M4*12	4	Bottom plate screw
22	Windblade Cross machine screw	M5*10	1	Blade
23	Spongy cushion		1	
24	Cross head self-tapping screw of housing	M4*50	2	Housing/Handle screw
25	Sheaths		1	
26	Cable2	2M*0.75mm ²	1	